

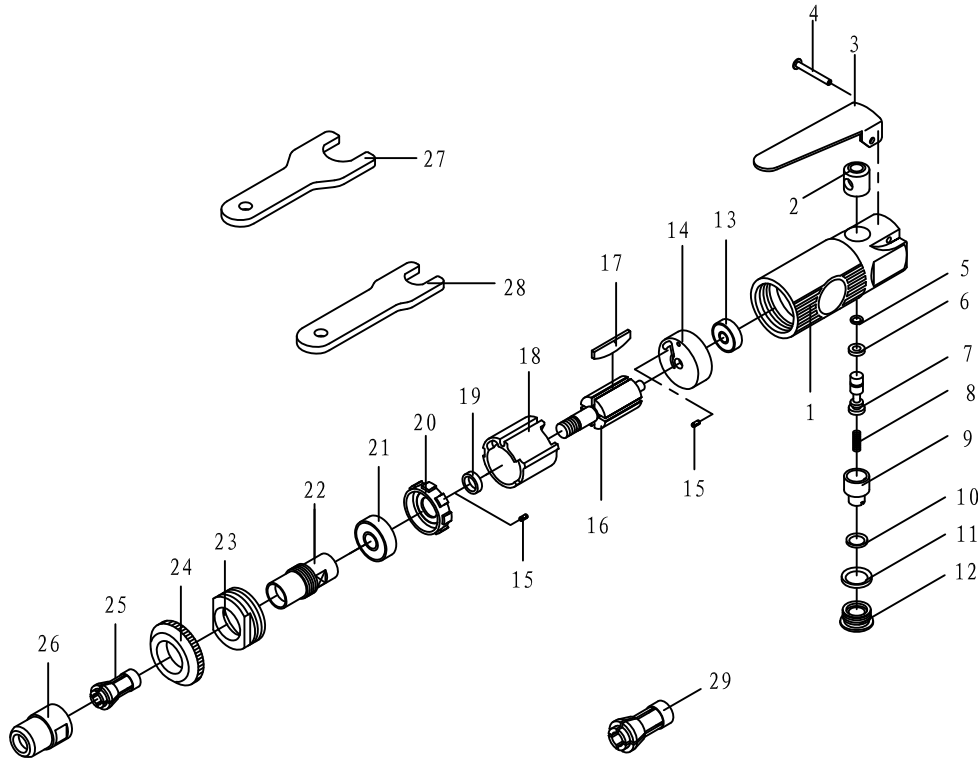
# MINI AIR DIE GRINDER

## Specifications

Collet Size.....1/8", 1/4", 3mm, 6mm  
 Free Speed.....25,000RPM  
 Air Consumption.....4CFM@90PSI

Air Inlet.....1/4"  
 Weight.....0.36kg  
 Exhaust.....Front Exhaust

## Parts List



Ref.	Part#	Description	Q' TY
------	-------	-------------	-------

1	WFG-1010-01	Housing	1
2	WFG-1210-02	Valve Bushing	1
3	WFG-1010-02	Trigger	1
4	GB/T873-86 3*24	Rivet	1
5	O Ring 3.3*1.5	O-Ring	1
6	JB/T6659-1993 4*2	O-Ring	1
7	WFG-1210-04	Pin	1
8	WFG-1210-05	Spring	1
9	WFG-1210-06	Adjusting Knob	1
10	O Ring 7*2	O-Ring	1
11	O Ring 11*2	O-Ring	1
12	WFG-1210-07	Screw	1
13	GB/T276-1994 625-2Z	Bearing	1
14	WFG-1010-04	Back Cylinder Head	1

Ref.	Part#	Description	Q' TY
------	-------	-------------	-------

15	GB/T879.2-2000 2*6	Straight Pin	2
16	WFG-1010-05	Rotor	1
17	WFG-1210-11	Blade	4
18	WFG-1210-13	Cylinder	1
19	WFG-1210-14	Washer	1
20	WFG-1210-15	Front Cylinder Head	1
21	GB/T276-1994 608-2Z	Bearing	1
22	WFG-1210-16	Collet Holder	1
23	WFG-1210-17	Locking Ring	1
24	WFG-1210-18	Cap	1
25	BQ04-01-01	1/4" Collet	1
26	WFG-1210-19	Collet Nut	1
27	WFG-1210-20	Big Spanner	1
28	WFG-1210-21	Small Spanner	1
29	BQ04-01-03	1/8" Collet	1